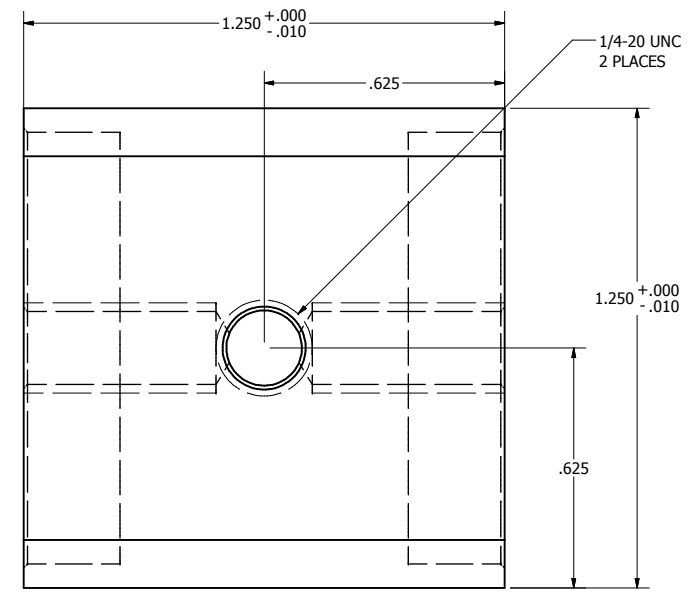
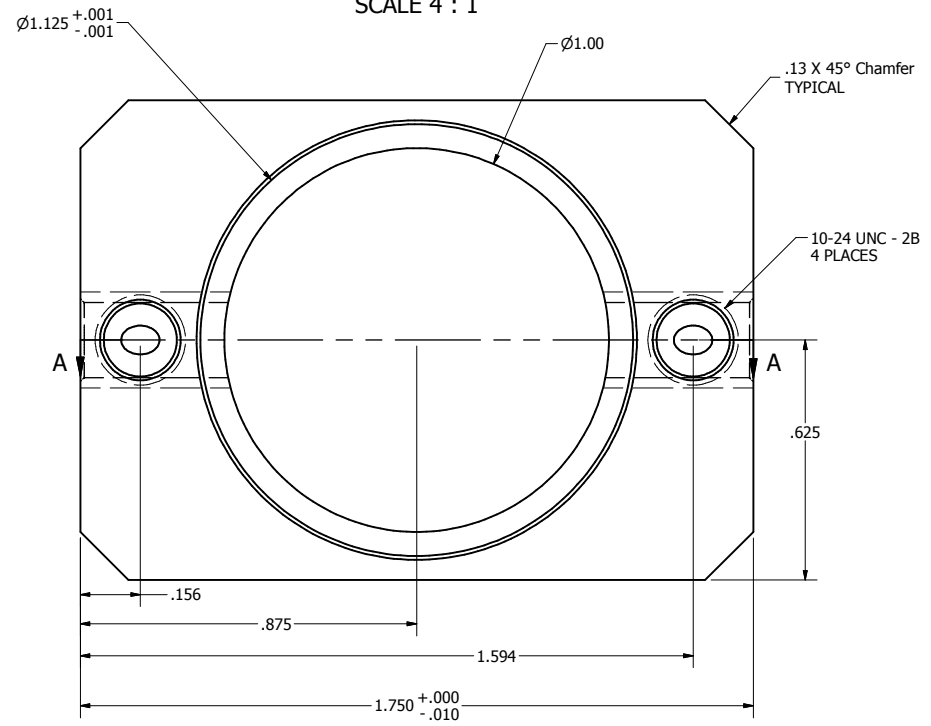
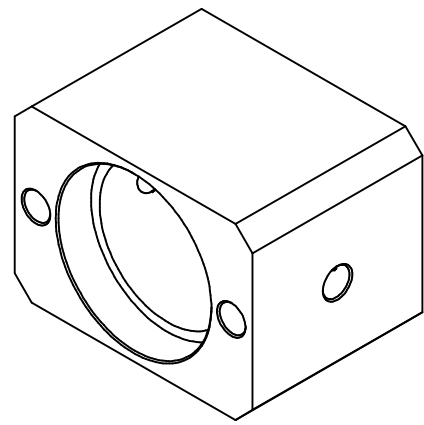


$.250^{+.003}_{-.000}$   
2 PLACES

ALL TAPPED  
HOLES CAN BE  
THROUGH

$.01 \times 45^\circ$  Chamfer  
ALL HOLES

SECTION A-A  
SCALE 4 : 1



**Team 221 LLC.**

TITLE <b>bearing_block_.25</b>		DWG NO
MATERIAL 6061-T6 ALUMINUM 1.25"X1.25" STOCK		Dimensional Tolerance Unless Noted 2 PL. $\pm 0.01$ 3 PL. $\pm 0.005$
QUANTITY 50	DATE 9/1/2008	